

Date: 11/98

Number of Pages: 1

Reference #: 00107

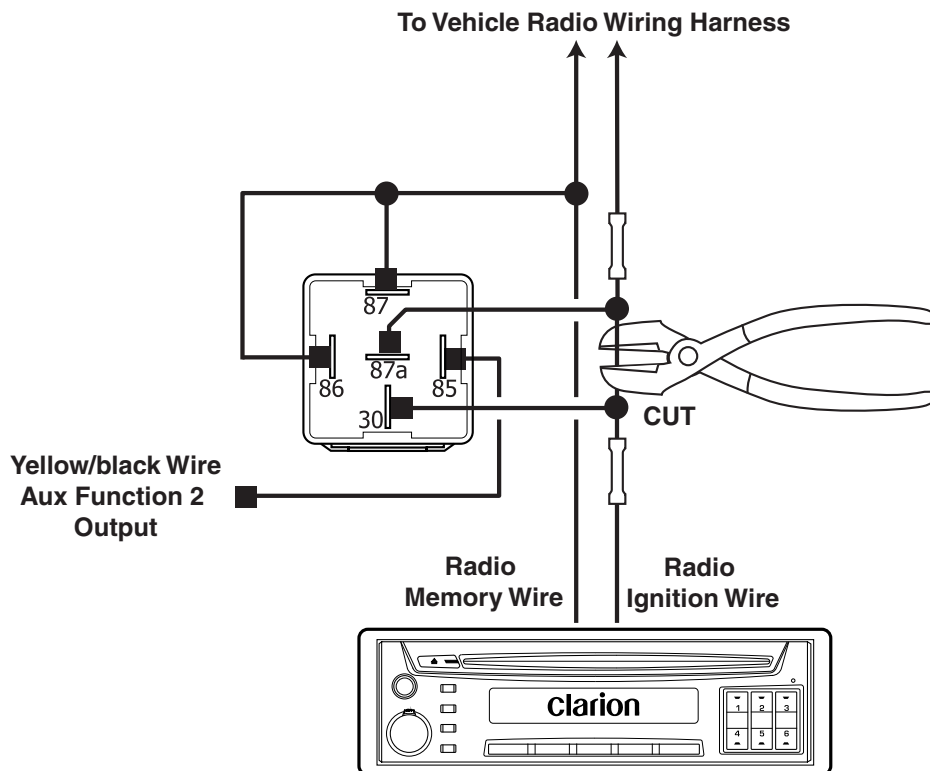
Subject: Using the Ungo Auxiliary 2 Function to latch the radio on. (MS8200/8300, MS3001/3200)

Description:

This enables the user to listen to the vehicle's audio or video system for extended periods with the ignition key off.

When the Aux 2 function is pressed, the radio will turn on until the Auxiliary 2 function is pressed again.

On selected Ungo products, the Aux2 function resets when the alarm is armed or disarmed. The user can simply exit the vehicle and arm the alarm which will then turn off the radio. In this manner, the user cannot forget to turn off the radio and drain the vehicle's battery.



Notes:

Ungo Security Corporation
661 West Redondo Bach Bl.
Gardena, CA 90247
Ph. 310-327-9100
Fax 310-327-1999